

# DESK - DOUBLE ARM

AVAILABLE IN 2 MODELS



BOLT DESK LAMP - DOUBLE ARM - WITH FOOT



BOLT DESK LAMP - DOUBLE ARM - WITH CLAMP

# DESK - DOUBLE ARM

## INFORMATION

### GENERAL INFORMATION

<b>DESIGN BY</b>	Anton de Groof, 2013
<b>MATERIALS</b>	Steel & aluminium
<b>PRODUCT</b>	1. Bolt desk lamp - double arm - with foot 2. Bolt desk lamp - double arm - with clamp
<b>DESCRIPTION</b>	Desk lamp in coated steel, shade in coated aluminium. Lamp head and lamp arm are adjustable with special wingnut.
<b>TOTAL WEIGHT</b>	8,42 kg - with foot 2,27 kg - with clamp

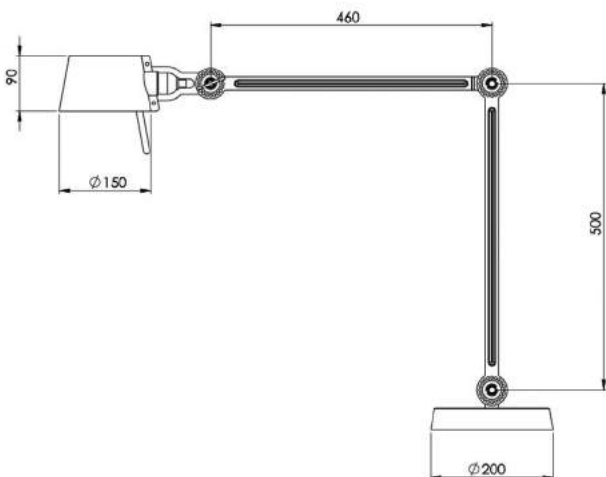
### TECH. SPECIFICATIONS

<b>INPUT</b>	200-240 V
<b>MAX. WATT</b>	Max. 60 Watt
<b>LIGHT BULB</b>	E27

### POSITIONS

The lamp can be adjusted at all its joints. This gives endless possibilities to the position of the lamp.

### DIMENSIONS



### IN THE PACKAGE

- 01 A special wingnut shaped tool to adjust the lamp
- 02 Depending on the model, this lamp comes with a clamp or a foot

### GOOD TO KNOW

- |                    |   |
|--------------------|---|
| <b>ENVIRONMENT</b> | Special waste handling may be required please contact your local authorities for more information |
| <b>CLEANING</b>    | Wipe clean with a dry cloth   |
| <b>SAFETY</b>      | Minimum safe distance to illuminated object: 30 cm  |

### COLORS

The Bolt desk lamp is available in 7 colors.

